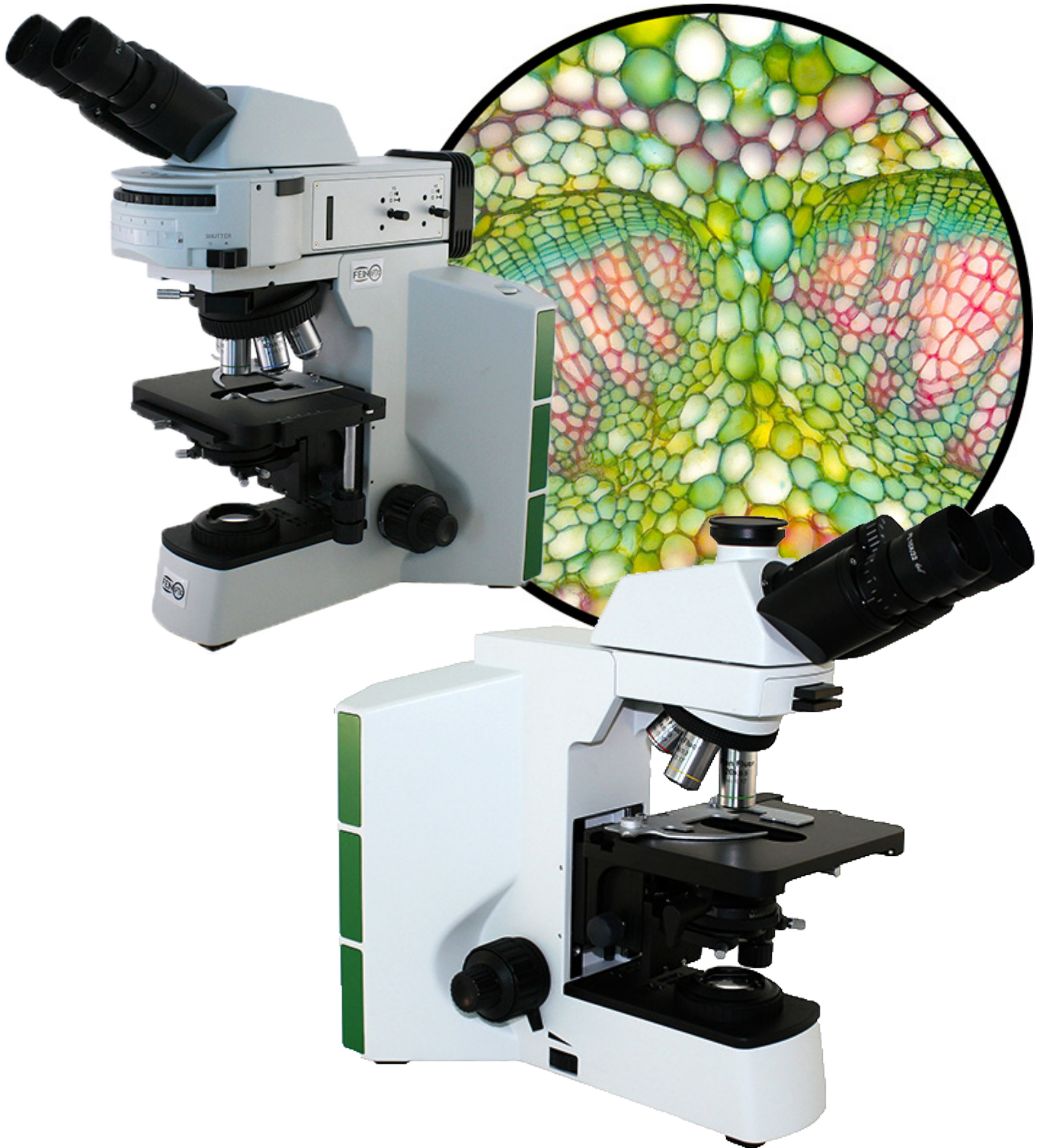




## RB40 Series Laboratory Microscopes



# RB40 Laboratory Microscope Features



**1** Ergonomically inclined head with eyetubes at 30° places user in the best working position, creating less tension and fatigue. Interpupillary distance is adjustable from 54~75mm. FPL-WF10x high eyepoint eyepieces, FN22.

**2** High-intensity 5W LED transmitted light with telecentric Koehler illumination system works with N.A. 1.2/0.22 achromatic condenser with a swing-out top lens for 2x - 100x observation. Voltage 100~240V.

**3** Gout Kit including first order red incident wave plate and 360° rotatable analyzer that slide into microscope body while polarizer fits over lamp housing.

**4** Microscope frame available with quintuple or sextuple nosepiece.

**5** Coaxial coarse and fine focus adjustment.



# RB40 Laboratory Microscope Features



Double-layer mechanical stage, 175 x 145mm. Dual slide holder can hold one or two slides for testing and comparative analysis. Right hand ergonomic controls for X-Y axis travel of 75 x 50mm. Stage is made of oxidized metal with a special anti-corrosive protective coating providing durability and ease of cleaning.



Safety carrying handle makes microscope transportation simple and easy.



Allen wrench storage in microscope frame ensures you can always locate the required tool for microscope adjustments.

## Plan Achromat Infinity Corrected Objectives



Part #	Objective	N.A.	W.D.
FPLN2	2x	0.06	5mm
FPLN4	4x	0.10	11.9mm
FPLN10	10x	0.25	12.1mm
FPLN20	20x	0.40	1.5mm
FPLN40	40x	0.65	0.36mm
FPLN50	50x oil	0.95	0.19mm
FPLN60	60x	0.85	0.30mm
FPLN100	100x oil	1.25	0.18mm

## Plan Semi Apochromat Fluor Infinity Corrected Objectives

Part #	Objective	N.A.	W.D.
SAPOFL4	4x	0.13	18.5mm
SAPOFL10	10x	0.30	10.6mm
SAPOFL20	20x	0.50	2.33mm
SAPOFL40	40x	0.75	0.6mm
SAPOFL100	100x oil	1.28	0.21mm



## Plan Phase Contrast Infinity Corrected Objectives



Part #	Objective	N.A.	W.D.
FPL-PH10	10x	0.25	12.1mm
FPL-PH20	20x	0.40	1.5mm
FPL-PH40	40x	0.65	0.36mm
FPL-PH100	100x oil	1.25	0.18mm

Phase contrast turret condensers are available with stops for BF, PH1, PH2, PH3, PH4 or BF, BD, PH1, PH2, PH3. Full phase contrast includes phase centering telescope, plan phase contrast infinity corrected objectives and green interference filter.

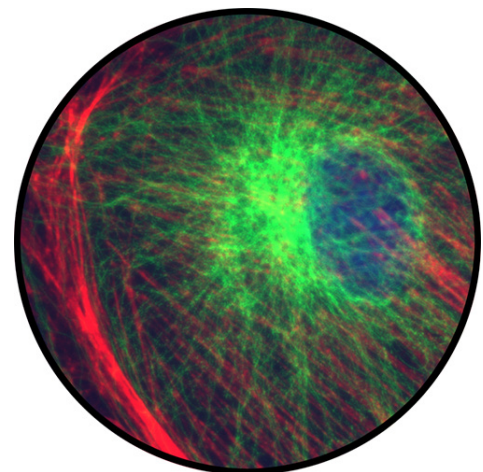
# RB40 Laboratory Fluorescence Microscope



Fluorescence illumination attachment with six position filter turret. Illuminator options include metal halide illuminator with liquid light guide and collimating adapters or LED illuminator.

Filter sets can be customized to meet requirements.

A variety of digital imaging systems and software are available to capture and analyze microscopy images.



## Binocular Head

30° inclined binocular head, 360° rotatable with interpupillary distance adjustable from 54 - 75mm.



## Trinocular Head

30° inclined trinocular head, 360° rotatable with interpupillary distance adjustable from 54 - 75mm. Beam splitter ratio of 100:0, 0:100.



## Ergonomic Trinocular Head

Efficient ergonomic tilting and adjustable 5°-35° inclined trinocular head, 360° rotatable with interpupillary distance adjustable from 50 - 76mm. Beam splitter ratio of 100:0, 20:80, and 0:100.



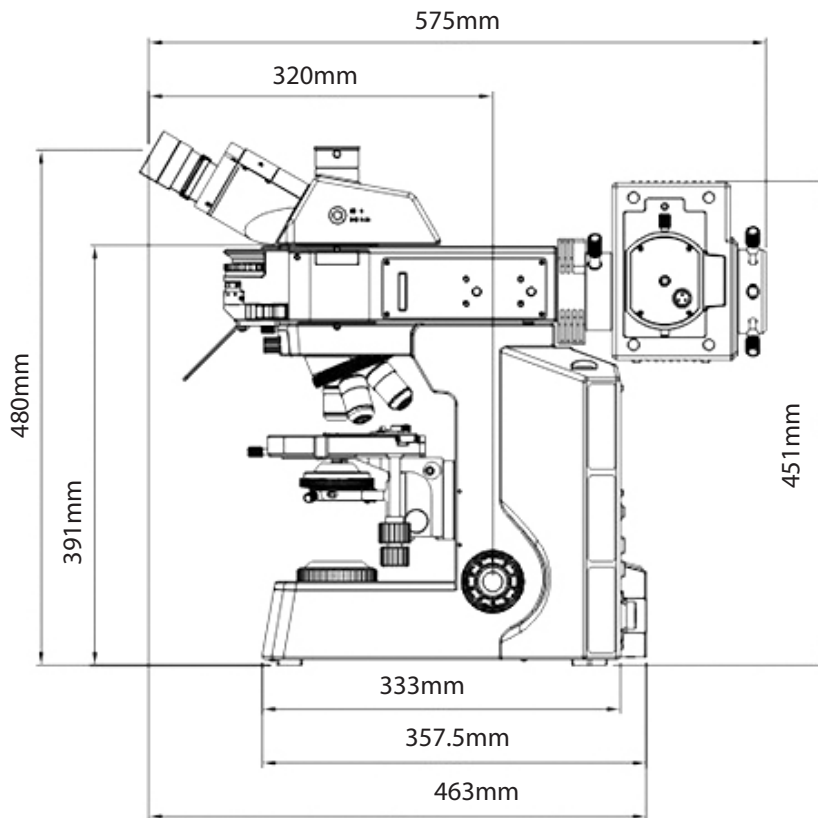
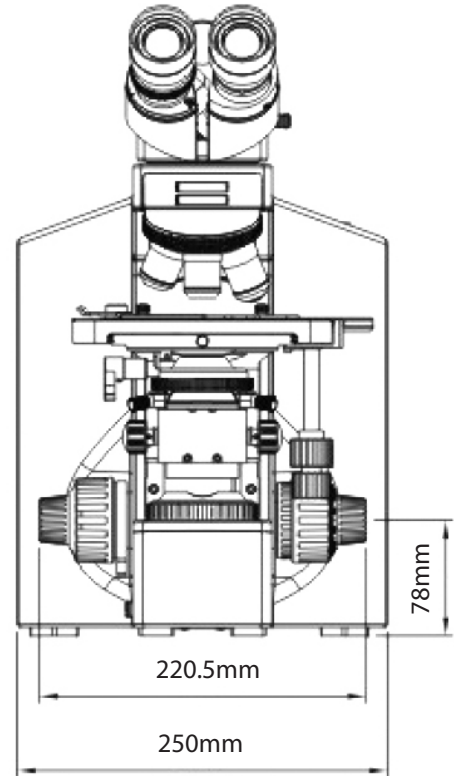
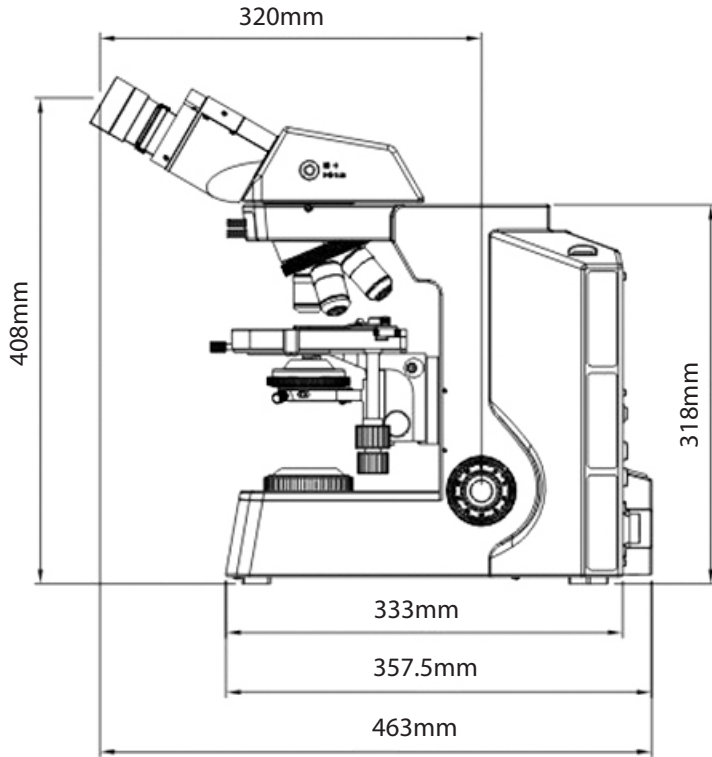
## Focusing C-Mount Adapters

Part #	C-Mount	Camera Chip Size
RB40-CMT0.35x	0.35x	1/4" - 1/3"
RB40-CMT0.5x	0.5x	1/2" - 1/1.8"
RB40-CMT0.65x	0.65x	2/3"
RB40-CMT1x	1.0x	2/3" - 1"

# RB40 Laboratory Microscope Specifications

Optical System	Infinity Color Corrected Optical System
Viewing Head	30° gemel binocular head. Head rotates 360°. Interpupillary distance adjustable 54~75mm. Diopter adjustable +/-5.
	30° gemel trinocular head. Head rotates 360°. Interpupillary distance adjustable 54~75mm. Diopter adjustable +/-5. Beam splitter ratio = 100:0, 0:100.
	Ergonomic tilting trinocular head 5°-35°. Head rotates 360°. Interpupillary distance adjustable 50~76mm. Beam splitter ratio = 100:0, 20:80, 0:100.
Eyepieces	FPL-WF 10x widefield, high eyepoint plan eyepieces, FN22. Reticle retaining ring for 26mm diameter reticle.
	FPL-WF 10x widefield, high eyepoint, focusing plan eyepieces, FN25. Reticle retaining ring for 26mm diameter reticle.
	FPL-WF 15x widefield, high eyepoint, plan eyepieces, FN16. Reticle retaining ring for 25mm diameter reticle.
Objective Lenses	Infinity Corrected Plan Achromat 2x, 4x, 10x, 20x, 40x, 50x oil, 60x, 100x oil.
	Infinity Corrected Plan Semi Apochromat Fluor 4x, 10x, 20x, 40x 100x oil.
	Infinity Corrected Plan Phase 10x, 20x, 40x, 100x oil.
Nosepiece	Reversed quintuple nosepiece with analyzer and first order red incident wave plate slots.
	Reversed sextuple nosepiece.
Focus Adjustment	Coaxial focusing system, coarse focusing adjustment 30mm with tension adjustment. Fine adjustment precision of 0.002mm. Focus height adjustable.
Stage	175 x 145mm double layer mechanical stage with low-position controls. Movement range of 76 x 50mm, precision 0.1mm. Special anti-corrosive and anti-friction coating on stage.
Condenser	N.A. 1.2/0.22 achromat condenser with swing-out top lens for 2x - 100x coverage.
	Phase contrast turret condenser with stops for BF, PH1, PH2, PH3, PH4.
	Phase contrast turret condenser with stops for BF, DF, PH1, PH2, PH3.
Illumination	5W Koehler LED illuminator with rheostat control, 100V~240V.
Phase Contrast	Phase centering telescope, green interference filter, phase objectives & condenser.
Polarization	360° rotatable analyzer and polarizer.
Gout	360° rotatable analyzer, first order red incident wave plate and polarizer.
Fluorescence	Fluorescence illumination with six position filter turret. Metal halide illuminator with liquid light guide and collimating adapters or LED illuminator. Variety of filter sets available.
C-Mount Adapters	0.35x, 0.5x, 0.65x, 1x.
Filters	Yellow, green, blue, neutral density 45mm diameter filters.
Reticles	Variety of 26mm Ø reticles available including: grid, ruler, cross-line, etc. Metric or inches.

# RB40 Laboratory Microscope Dimensions



[info@feinoptic.com](mailto:info@feinoptic.com)